

# Signicade®

PLASTICADE®

- All plastic sign frame, holds two signs 24" W x 36" H
- Recessed sign area helps to protect sign faces
- Sign face can receive vinyl sheeting (with surface preparation), metal, Coroplast™, or acrylic sign blanks
- Can be internally weighted with dry sand (5 lbs. per side recommended)
- Molded-in handle for easy portability
- Stacking lugs keep stacked units from sliding and damaging sign faces



## NEW COLORS!



Signicade comes standard in White, Black, Yellow, Orange, Red, Green, and Blue. Custom colors are available.



# Signicade®

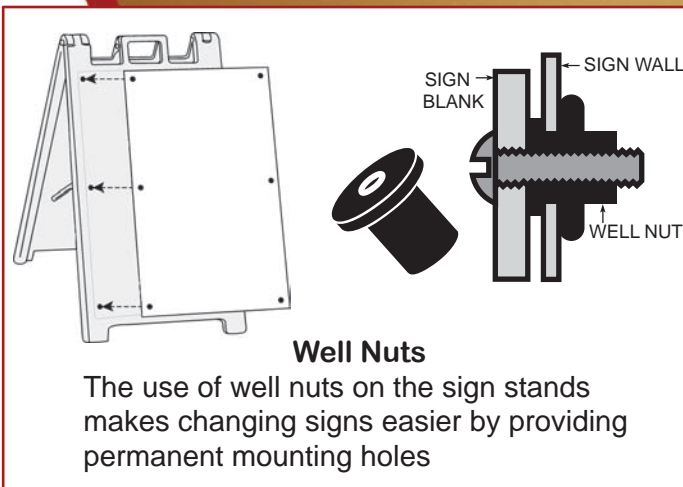
**OUTSIDE DIMENSIONS :** 45"H X 25"W x 3"D

**DIMENSIONS OF RECESSED PANEL:** 36.0625"H x 24"W

**WEIGHT:** 18 lbs.

**COLORS:** White, Black, Yellow, Orange, Red, Blue, and Green  
Custom Colors Available

**2 SIGNS PER FRAME**



## Message Boards Available in Black or White

Coroplast™ Message Board comes with tracks permanently attached.  
2 boards per kit.

Letter set contains over 300 letters and numbers plus "Sale" and "Special" headers and more.

Indexed box for letter storage (premium kit) and screws for attaching boards to frame are included in kit.



## Marker Boards Available in Black or White

Marker Board kits include 2 sheets of Coroplast™ in either white or black and one set of neon markers.

Markers will not rub off or wash off in the rain, just write on the board and let dry for 3 minutes. To change sign, wipe with any glass cleaner with ammonia.

Screws to attach boards to sign frame are included in kit.



MADE IN THE USA

**PLASTICADE®**

7700 Austin Avenue  
Skokie, IL 60077  
phone (800) 772-0355  
fax (847) 966-8074  
www.plasticade.com



HDPE